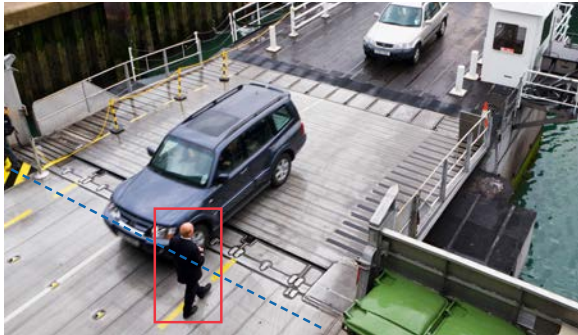


# ME6 IR DuraBullet

6MP ruggedized bullet camera with intelligent video and IR, for indoor and outdoor applications



The “Wrong Direction” analytic triggers an alarm when a person walks into the restricted area.



The **ME6 IR DuraBullet** from March Networks® delivers 6MP image quality, combined with built-in IR LEDs, allowing you to discern objects in the dark from over 131 feet (40 meters) away. The housing is weather-resistant and vandal-proof, rated for severe outdoor conditions and extreme temperatures.

The camera features a set of powerful video analytics, including tripwire, intrusion detection, loitering detection, and abandoned object. Video analytics enable organizations to enhance security in both public and private spaces by detecting perimeter or area breaches, unattended objects, and atypical activity more rapidly and consistently. The software detects camera tampering in real time and also promotes more proactive system maintenance by alerting staff to camera obstructions or changes in camera positioning that may otherwise go unnoticed.

## Key Benefits

- ▼ **Video intelligence at the edge.**
  - **Abandoned Object** - an alarm is triggered if an object remains in one spot for too long.
  - **Wrong Direction** - an alarm is triggered when a person or object travels in the wrong direction.
  - **Loitering Detection** - an alarm is triggered when people remain in an area for too long.
  - **Tripwire** - an alarm is triggered when a person or object crosses the defined spot.
  - **Stopped Vehicle** - an alarm is triggered when a vehicle remains in an area for too long.
  - **Intrusion Detection** - an alarm is triggered when people or vehicles enter a specific area.
  - **Object Removal** - an alarm is triggered if an object is removed from an area. Ambarella CVflow® chip inside. The Ambarella SoC makes cameras smarter by extracting valuable data from hi-res video streams, and serves as a platform to add a multitude of analytics in the future.
- ▼ **“Region of interest” compression.** Identify zones of low or high importance, then adjust the compression levels within those zones, to save on storage.
- ▼ **Digital Overlay High Dynamic Range (DOL-HDR).** The camera blends the best parts of three separate exposures together to combine the most focused, well-lit, and colorful parts of the scene.
- ▼ **Save money on storage and bandwidth.** The low bit rate (LBR) setting reduces storage and bandwidth usage by 50% or more in most applications; streams can drop below 3Mbps at 6MP (15 fps).
- ▼ **See better in polluted, hazy environments.** The sensor can “see through” adverse conditions to capture details in smog, fog and smoky environments.

*AI enhances the reliability of the analytics and lets you learn more about what’s happening in the scene.*

# ME6 IR DuraBullet

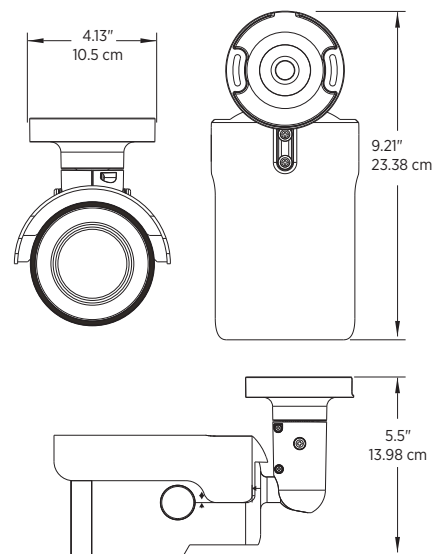
CAMERA	
Image Sensor	1/1.8" Progressive CMOS
Effective Pixels	6MP; 3328 (H) x 1872 (V)
Lens	3.6 – 11mm, motorized, F1.5, P-iris
Field of View	115° H x 61.2° V (wide); 47.5° H x 27.0° V (tele)
High Dynamic Range (HDR)	120 dB
Day/Night Functionality	True Day/Night with IR
Minimum Illumination	Color: 0.04 lux B/W: 0.002 lux (0.0 lux with IR ON)
Shutter Speed	1-1/500
Camera Angle Adjustment	Pan 360°, Tilt 180°, Rotation -100° to 100°
Pan/Tilt/Zoom	3X Optical zoom, digital PTZ via Command
White Balance	Manual/Automatic
IR Wavelength	850nm
IR Illumination Distance	131 feet (40m)
Number of LEDs	8 micro LEDs
VIDEO	
Video Compression	H.264, MJPEG
Resolution	3328x1872 (6MP), 3072x1728 (5MP), 2688x1512 (4MP), 2432x1368 (3MP), 1920x1080 (2MP), 1280x1024 (SXGA), 1280x720 (720p), XGA, SVGA, D1, VGA, CIF
Frame Rate (max)	30fps @ 6MP, 60fps @ 1080p (with Shutter WDR OFF)
Streaming	Up to four individually configurable streams in H.264, MJPEG Configurable framerate, bandwidth, LBR, VBR, and CBR, H.264 and MJPEG
Image Settings	Exact exposure, backlight compensation, white balance, noise reduction, wide dynamic range, privacy masks, text overlay
AUDIO	
Audio Streaming	Two-way, stereo
Audio Compression	G.711 PCM, uLAW, ALAW, ACC
Audio Input/Output	Line in/line out
NETWORK	
Security	Password protection, HTTPS encryption (configuration only), IEEE 802.1X
Supported Protocols	IPv4/v6, TCP/IP, UDP, RTP, RTSP, HTTP, HTTPS, DHCP, PPPoE, UPnP, QoS, ONVIF-S
Interface	RJ-45, 10/100Mbps Ethernet
Internet Browser	Internet Explorer (10+), Chrome, Safari, Mozilla
SYSTEM INTEGRATION	
Alarms	One alarm input, one relay output
Video intelligence	Video motion detection, active video tampering, abandoned object, wrong direction, loitering detection, tripwire, stopped vehicle, intrusion detection, object removal
Alarm Trigger	External input, intelligent video (see above)
Alarm Events	Video recording to local storage (SDXC, 512GB support), external output activation
ELECTRICAL	
Power	PoE IEEE802.3af, class 3; 12VDC; 24VAC; 6 Watts (typical; without local recording, IR illumination, and heater); 13.68 Watts (maximum)
PHYSICAL	
Construction	All metal housing
Storage	Support for microSD, microSDHC, microSDXC card up to 512GB (sold separately)
Dimensions (L x D x H)	9.2 x 4.1 x 5.5 in (23.38 x 10.5 x 13.98 cm)

Weight	6.6 lbs (3 Kg)
Operating Conditions	-67° to 140°F (-55°C to 60°C)
Humidity	8 - 90% RH, non-condensing
Weatherproof Standard	IP66
Vandal Resistant	IK10
LED Indicator	Power, ACT
Connectors	Alarm: Terminal Block; Power: Terminal Block; Ethernet: RJ-45; Analog Video: BNC with adaptor; Audio: Terminal block
Certification Model	C4002A
Included Accessories	Mounting hardware, Quick Start Guide

REGULATORY	
Emissions	EN 55032: FCC Part 15 Subpart B, ICES-003, CISPR 32, AS/NZS CISPR 32
Immunity	EN 50130-4, EN55035 (optional)
Safety	UL62368-1, IEC62368-1 (CB report), IEC60950-22 (only for outdoor models)
Environmental	ROHS3, WEEE



ORDERING INFORMATION	
<b>CAMERA</b>	
37993-101	ME6 IR DuraBullet
<b>ACCESSORIES</b>	
33227	Wall Mount Back Box
33226	Pole Adaptor Back Box



**5-year warranty:**

- Option for Advance Replacement or Repair & Return.
- No need to issue a PO prior to receiving the replacement.
- March Networks incurs all shipping costs – both ways – for Advance Replacements.